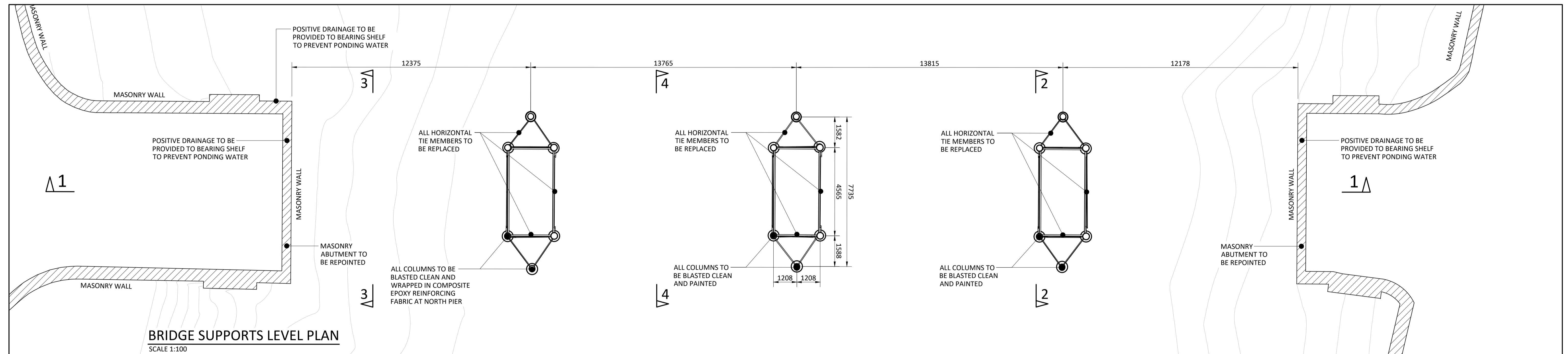


BRIDGE DECK LEVEL PLAN

SCALE 1:100



BRIDGE SUPPORTS LEVEL PLAN

SCALE 1:100

GENERAL NOTES

1. VEGETATION IS PRESENT THROUGHOUT THE WINGWALLS.
2. PAINT PROTECTION SYSTEM HAS FAILED.
3. ALL STEEL WORK TO BE BLASTED CLEAN AND PAINTED AT A MINIMUM.
4. THE PROPOSED REMEDIATION WORKS SHOWN ARE BASED ON THE COMPLETION OF A VISUAL INSPECTION ONLY. FURTHER ANALYSIS IS REQUIRED TO CONFIRM THE ASSUMPTIONS MADE AS PART OF THE VISUAL INSPECTION.
5. DETAILS OF REMEDIATION WORKS PROPOSED WILL BE DEVELOPED IN GREATER DETAIL AS THE DESIGN PROGRESSES.

RECOMMENDED REHABILITATION WORKS:

1. REMOVAL AND REPLACEMENT OF EXISTING BRIDGE DECK SURFACING.
2. BLASTING OF ALL STEEL ELEMENTS BACK TO A SOUND SURFACE.
3. STRENGTHENING/REPLACEMENT OF ELEMENTS WITH SIGNIFICANT CROSS-SECTION LOSS.
4. REPLACEMENT OF RIVET MISSING CONNECTIONS.
5. REPLACEMENT OF SPLICE CONNECTION AT PIER SUPPORTS.
6. STRENGTHENING OF PIER COLUMNS BY APPLICATION OF COMPOSITE EPOXY REINFORCING FABRIC.
7. REPLACEMENT OF BRACING ARRANGEMENT AT PIERS.
8. INSTALLATION OF PROTECTIVE PAINT SYSTEM.
9. REPAIR OF RC EDGE BEAM AND DECK SLAB.
10. INSTALLATION OF WATERPROOFING SYSTEM TO RC DECK.
11. INSTALLATION OF DRAINAGE SYSTEM TO ROAD NETWORK.
12. RE-POINTING OF ABUTMENTS AND RE-INSTALLATION OF COPPING SLABS AS REQUIRED.
13. RECONSTRUCTION OF APPROACH AND DEPARTURE WALLS TO THE NORTH OF THE BRIDGE.
14. INSTALLATION OF NEW ROAD SURFACE COURSE AND LINING ON BOTH SIDES OF THE STRUCTURE.
15. REMOVAL OF ALL VEGETATION IMMEDIATELY ADJACENT TO THE ABUTMENTS AND ON THE STRUCTURE.

- FOR SETTING OUT REFER TO ARCHITECT'S DRAWINGS.
- THIS DRAWING TO BE READ IN CONJUNCTION WITH ALL OTHER ARCHITECTURAL AND ENGINEERING DRAWINGS AND ALL OTHER RELEVANT DRAWINGS AND SPECIFICATIONS.
- DO NOT SCALE THIS DRAWING. USE FIGURED DIMENSIONS ONLY.
- NO PART OF THIS DOCUMENT MAY BE REPRODUCED OR TRANSMITTED IN ANY FORM OR STORED IN ANY RETRIEVAL SYSTEM OF ANY NATURE WITHOUT THE WRITTEN PERMISSION OF O'CONNOR SUTTON CRONIN AS COPYRIGHT HOLDER EXCEPT AS AGREED FOR USE ON THE PROJECT FOR WHICH THE DOCUMENT WAS ORIGINALLY ISSUED.

Rev No.	Date	Revision Note	Drn by	Chkd by
P01	17/07/20	SUITABLE FOR STAGE APPROVAL: PLANNING	AC	IO'M
P02	29/07/20	SUITABLE FOR STAGE APPROVAL: PLANNING	AC	IO'M

Rev No.	Date	Revision Note	Drn by	Chkd by



Head Office,
9 Prussia Street,
Dublin 7.
D07 KT57

TEL +353 (0)1 8682000

e: contactus@ocsc.ie
w: www.ocsc.ie

Dublin | London | Belfast | Galway | Cork | Birmingham



Client: **LOUTH COUNTY COUNCIL**
Project: **REHABILITATION WORKS TO ST. DOMINICK'S BRIDGE AND OBELISK BRIDGE**
Title: **ST. DOMINICK'S BRIDGE GENERAL ARRANGEMENT**

Code	Originator	Zone	Level	Type	Role	Number	Status	Revision
L315	OCSC	XX	XX	DR	C	0003	S4	P02

Date: JUL '20 Scale: 1:100 @ A1 Drn by: AC Chkd by: IO'M Aprvd by: BO'R